



# Utility Swing Check Valves



- Engineered for Maximum Flow, Quick Response & Positive Shutoff
- Excellent for Pool & Spa, OEM and General Purpose Applications
- Compact, Space-Saving Design
- PVC White or Clear Sealed Unit
- All Plastic Construction – No Metal Parts
- Angled Seat and Weighted Flapper for Low-Pressure Seal
- High Grade EPDM Seat
- Suitable for Horizontal or Vertical Up-flow Installations
- Socket, Threaded, or SR Threaded End Connections

**General Installation Information:** Swing check valves are designed for horizontal installations, but may be installed in up-flow only vertical position. Check valves **MUST** be installed with the valve's FLOW arrow pointing in the direction of the flow. Do not install valve upside down. Flow velocity should not exceed 5 ft./sec. Minimum opening pressure less than 0.5 psi.

**Pressure Rating @ 73°F (23°C), Water**

**Full Flow (open) 150 psi**

**Back Pressure (closed) 75 psi**

**Maximum Service Temperature**

**140°F (60°C)**

**Temperature/Pressure De-ratings Apply**

## PVC White

Size	Socket	Thread	SR Threaded	Std Pk	Mstr Pk	Disc Code
1/2	S1520-05 15.85	S1520-05F 15.85	S1520-05FSR 18.49	35	0	026
3/4	S1520-07 16.36	S1520-07F 16.36	S1520-07FSR 20.12	35	0	026
1	S1520-10 17.04	S1520-10F 17.04	S1520-10FSR 22.28	20	0	026
1-1/4	S1520-12 17.70	S1520-12F 17.70	S1520-12FSR 26.11	12	0	026
1-1/2	S1520-15 18.76	S1520-15F 18.76	S1520-15FSR 33.12	12	0	026
2	S1520-20 29.12	S1520-20F 29.12	S1520-20FSR 44.70	15	0	026
2-1/2	S1520-25 48.44	S1520-25F 48.44	S1520-25FSR 64.02	5	0	026
3	S1520-30 53.83	S1520-30F 53.83	S1520-30FSR 95.47	4	0	026
4	S1520-40 76.21	S1520-40F 76.21	S1520-40FSR 119.36	2	0	026
6	S1520-60 160.13	S1520-60F 160.13	S1520-60FSR 211.21	1	0	026
8	S1520-80 297.47	---	---	1	0	026

## PVC Clear

Size	Socket	Thread	SR Threaded	Std Pk	Mstr Pk	Disc Code
1/2	S1520C05 21.55	S1520C05F 21.55	S1520C05FSR 24.18	35	0	026
3/4	S1520C07 21.97	S1520C07F 21.97	S1520C07FSR 25.76	35	0	026
1	S1520C10 22.39	S1520C10F 22.39	S1520C10FSR 27.64	20	0	026
1-1/4	S1520C12 23.51	S1520C12F 23.51	S1520C12FSR 31.89	12	0	026
1-1/2	S1520C15 25.55	S1520C15F 25.55	S1520C15FSR 39.93	12	0	026
2	S1520C20 36.78	S1520C20F 36.78	S1520C20FSR 52.36	15	0	026
2-1/2	S1520C25 61.31	S1520C25F 61.31	S1520C25FSR 85.47	5	0	026
3	S1520C30 68.13	S1520C30F 68.13	S1520C30FSR 109.76	4	0	026
4	S1520C40 91.71	S1520C40F 91.71	S1520C40FSR 134.83	2	0	026
6	S1520C60 189.55	S1520C60F 189.55	S1520C60FSR 240.64	1	0	026
8	S1520C80 316.63	---	---	1	0	026

NOT FOR USE WITH COMPRESSED AIR OR GAS

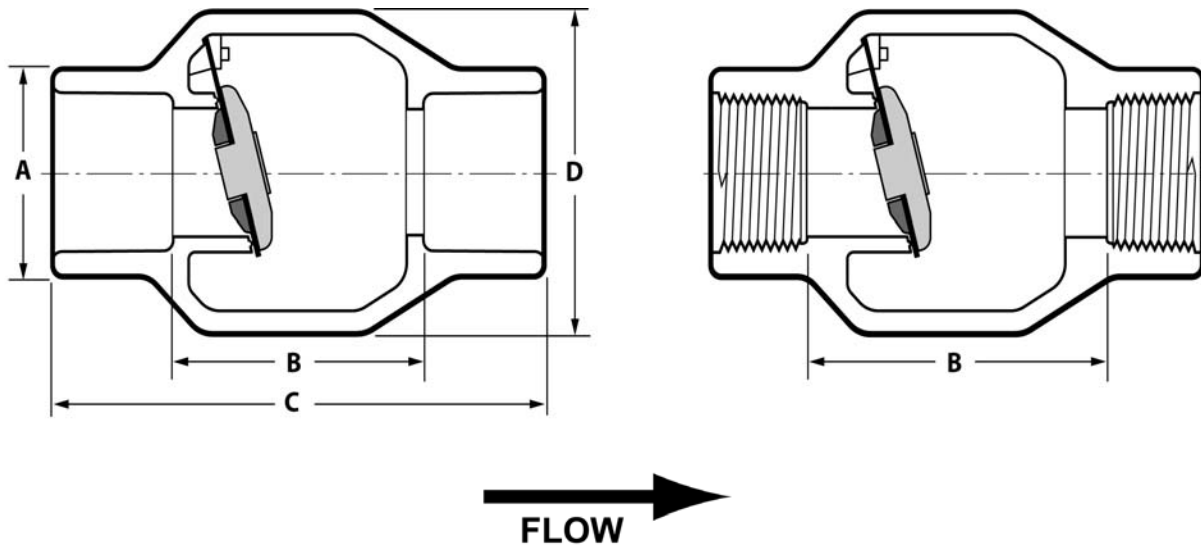
Spears® Manufacturing Company

Progressive Products from Spears® Innovation and Technology

# Utility Swing Check Valves



## Technical Information



## Dimensions

Nominal Size	Dimension Reference (inches, $\pm 1/16$ )				
	A	B		C	D
		Socket	Threaded/SR Threaded		
1/2	1-3/8	2-19/32	2-5/8	4-3/32	2-1/8
3/4	1-3/8	2-5/32	2-1/16	4-1/16	2-1/8
1	1-11/16	2-5/16	2-15/16	4-9/16	2-5/8
1-1/4	2-1/16	2-15/16	3-5/8	5-1/2	3-3/8
1-1/2	2-7/16	3	3-11/16	5-5/8	3-3/8
2	3	3-5/8	4-3/8	6-3/8	4-1/4
2-1/2	3-9/16	4-3/8	5-1/4	7-7/8	5-1/8
3	4-5/16	4-11/16	5-5/8	8-7/16	5-3/4
4	5-1/4	6	7-1/16	10-1/16	6-3/8
6	7-11/16	8-1/2	11-5/16	14-9/16	9-1/4
8	9-7/16	11-3/16	N/A	19-1/4	11-15/16

NOT FOR USE WITH COMPRESSED AIR OR GAS

Made in the U.S.A.

Progressive Products from Spears® Innovation and Technology

Page 2